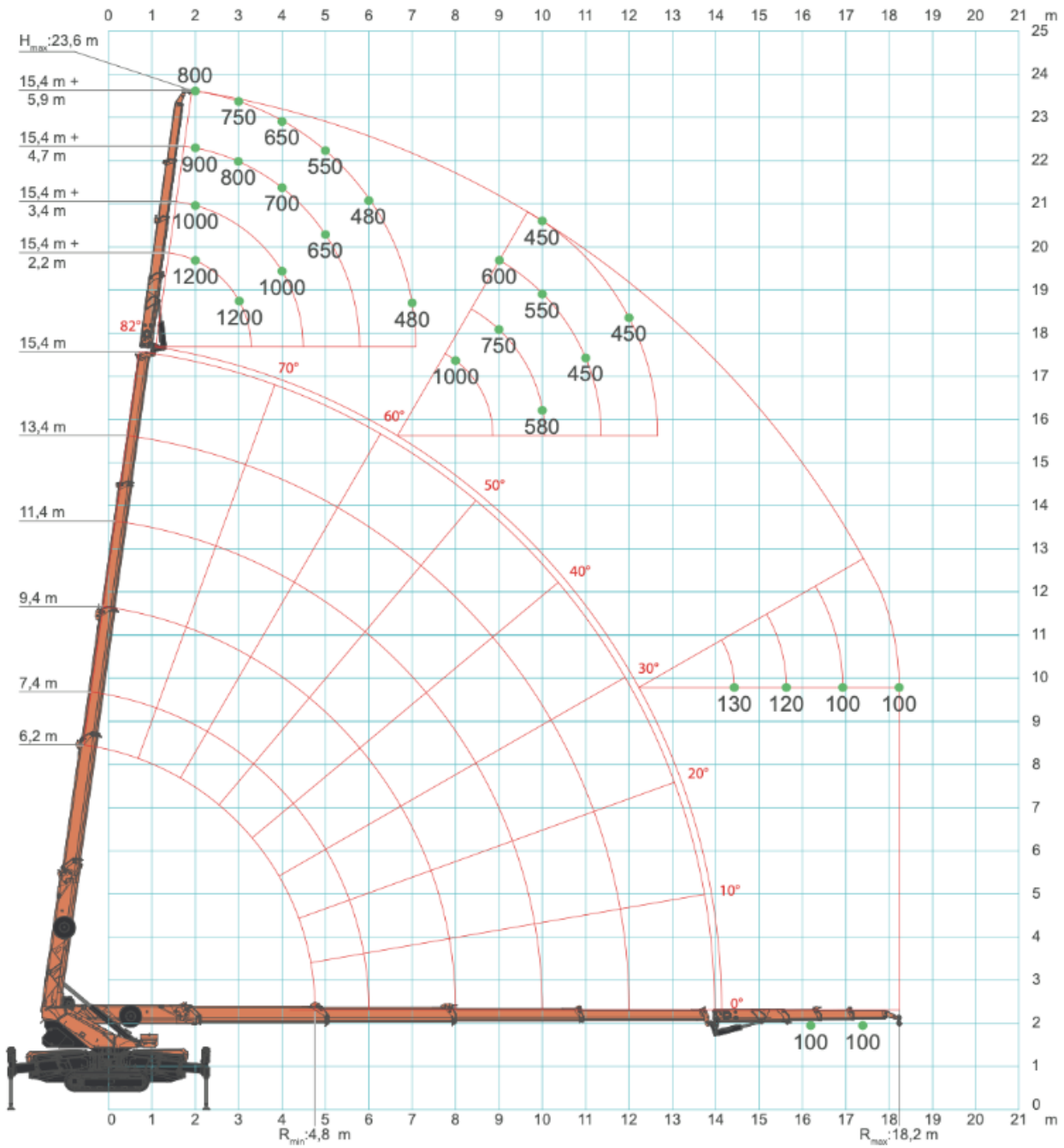


## SPX650 - JIB1200.3HX

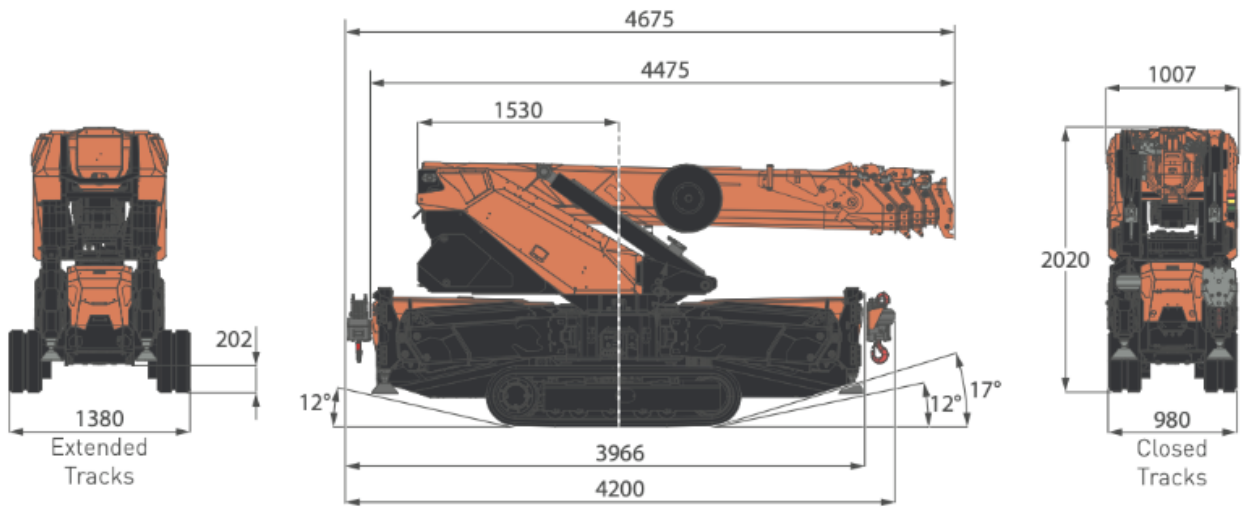
J6



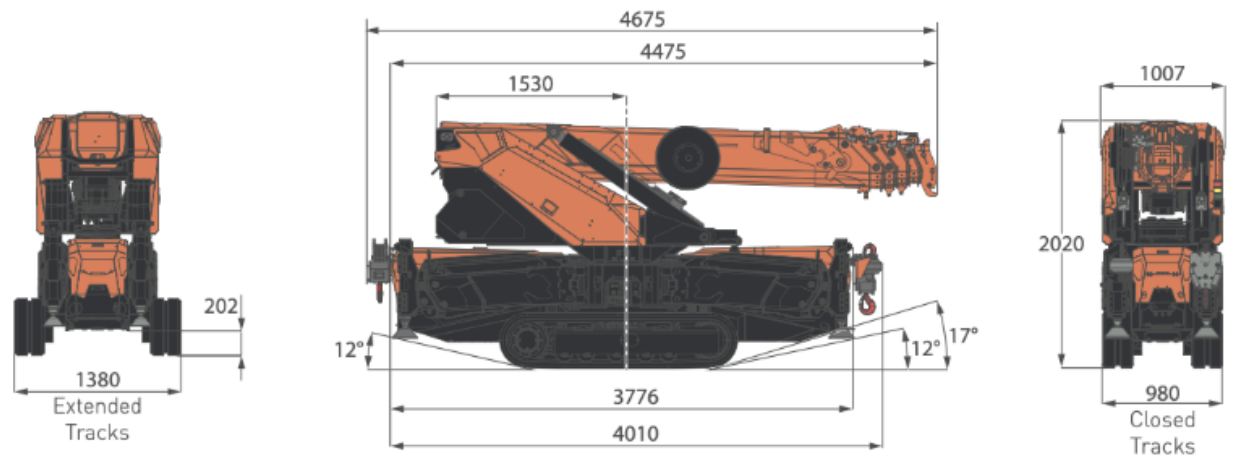
[kg]

# SPX650

## OVERALL DIMENSIONS SPX650CL-2



## OVERALL DIMENSIONS SPX650CDH



[mm]