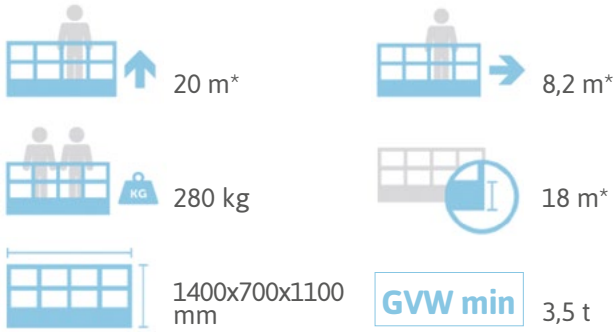


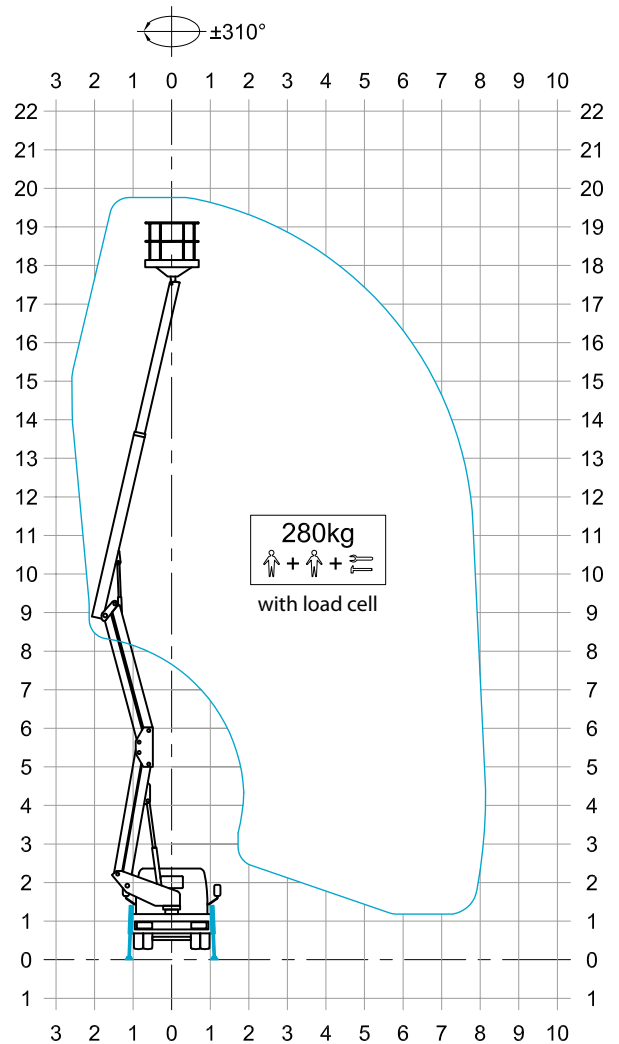
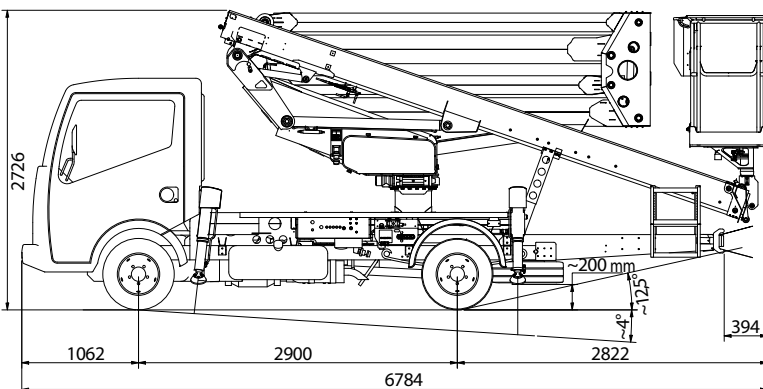
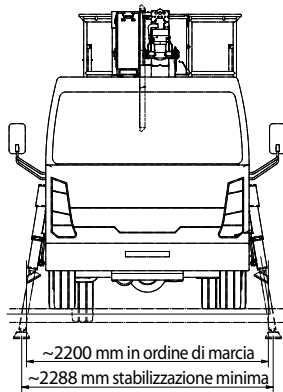
SPECIFICATION

CTEZED 20.3 HN

WORKING ENVELOPE



DIMENSIONS



* outreach and height max values and repeatability can change within ± 3% due to manufacturing variation and working condition.

